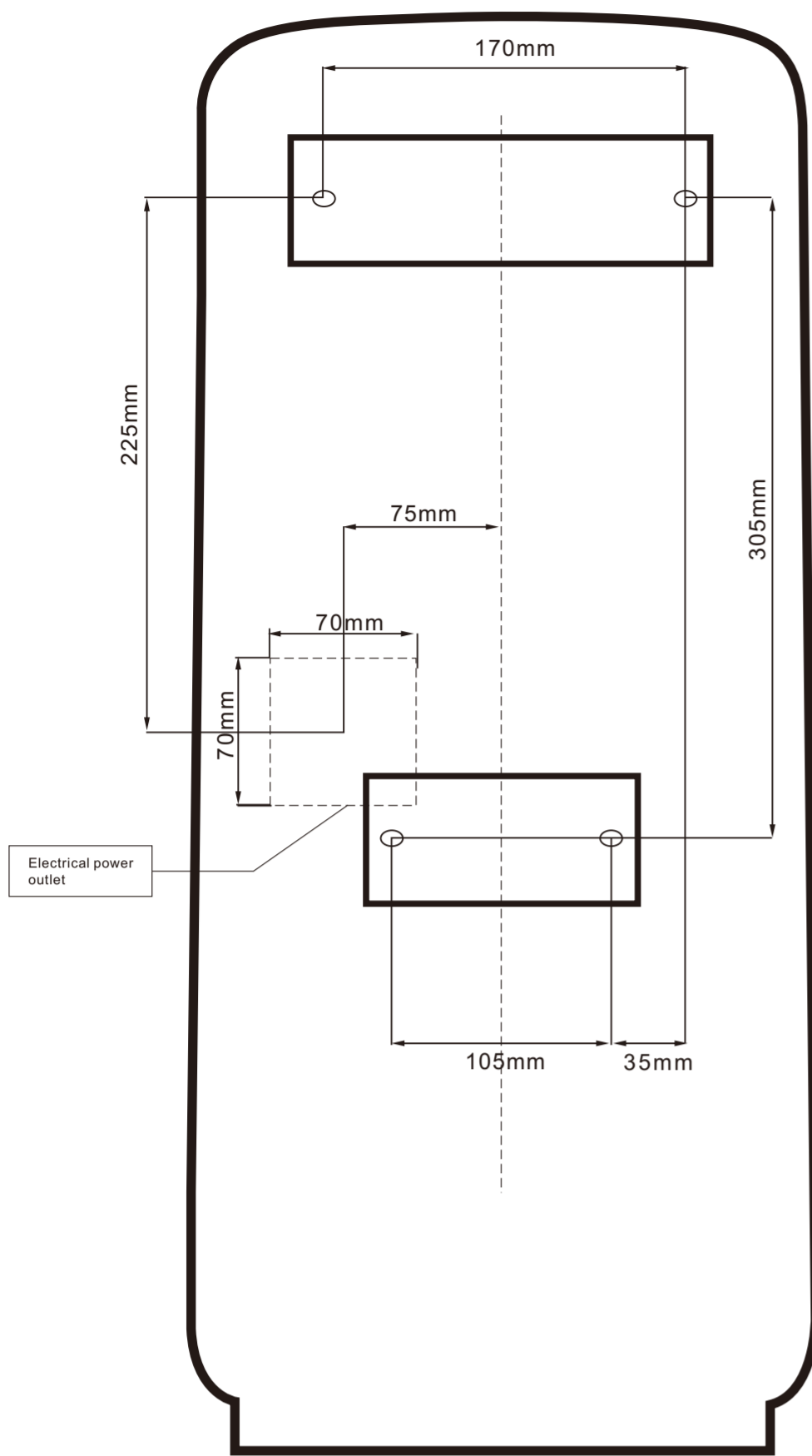


■ Drilling Template



3 Cleaning

⚠ Attention !

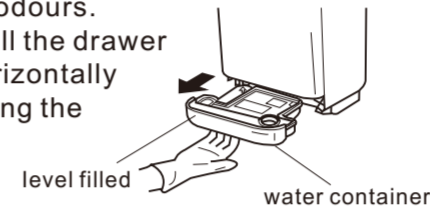
Turn off the unit before cleaning. Do not wet it by splashing large amount of water. Always wear gloves when cleaning

-Clean the appliance before it is too dirty. To do this, use a soft cloth moistened with a neutral agent. Cleaning ensures proper operation of appliance.

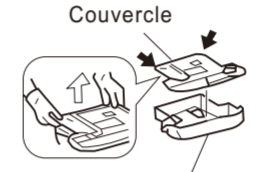
-Do not use solvents that are acidic or alkaline. Do not use alcohol to clean the drying space. Use a solution of less than 83% concentration. If you use a cloth with chemicals, read the instructions beforehand. Disinfectant agents may cause damage

Emptying and cleaning of water in the container

1 Empty and clean the water container before it is full (at least once a week) to avoid bad odours. To do this, pull the drawer container horizontally to avoid spilling the water

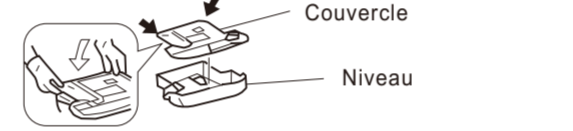


2 Remove the cover by pulling it upward as indicated by the arrow and empty water



Clean the water container

Close the lid and put the water container back into place.

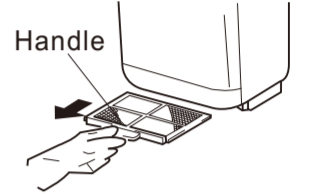


3 Pour about 200 cc of water through the drain to prevent it from choking. Make sure the water container is in place before putting the unit into operation

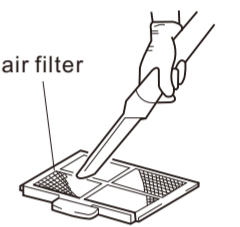


Cleaning the air filter

1 Remove the air filter by pulling the handle



2 Clean by tapping on it lightly or by means of a vacuum cleaner. If it is dirty, clean it with water.



Carefully put the filter back into place

⚠ Attention:
If you clean the filter with water, dry well before putting it back into place

⚠ Attention !

Proper usage of appliance and safety precautions must be taken to avoid injury and accidents.

- Do not attempt to install the appliance by yourself unless you are a qualified technician. Improper installation will affect the operation and in turn the safety of usage.
- Installation of this appliance must be made by a qualified technician. Incorrect electrical wiring can result in electric shock or short circuit.
- Do not open the front panel.
- Do not use appliance in a wet environment, for example near a bathtub or shower area. Heavy condensation and direct water splashing will result in equipment malfunction and electric shock.
- Do not disassemble or modify the appliance without a valid reason as it might result in short circuit or fire.
- Always use the appliance with its container and air filter, otherwise water could get inside the equipment and cause a short circuit or electrocution.
- Do not connect other appliances to the same cable. This may result in overheating and fire.
- Before cleaning or checking, unplug the appliance to prevent electrocution.
- Do not allow children to hang on to the unit as it might be detached from the bracket.

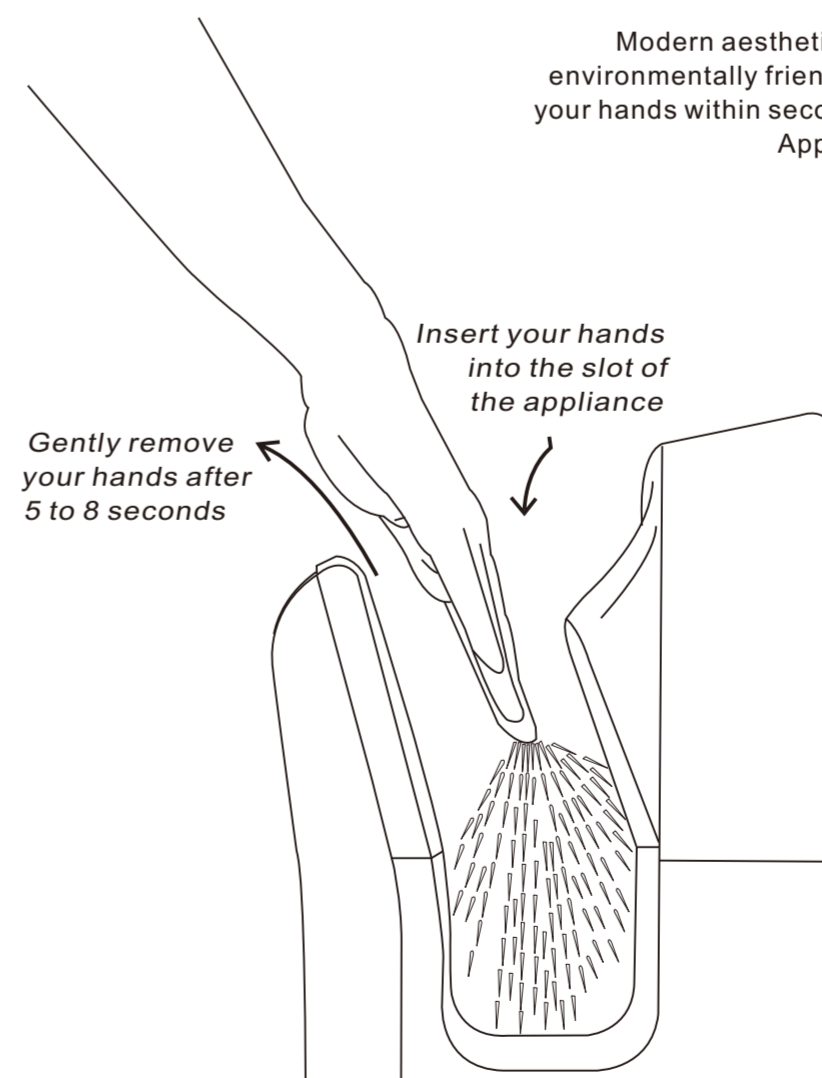


8 Characteristics

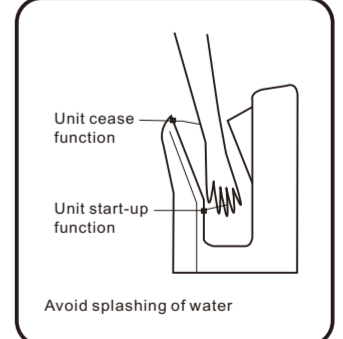
The use of the system "Injection Airstream" offers both comfort and fast drying.

Modern aesthetics, energy and cost efficient, durable and environmentally friendly. 2 jets of air pulse at high speed dry up your hands within seconds in a convenient and comfortable way.

Appliance suited to all public places including restaurants, business centres, commercial buildings, supermarkets and leisure centres



High and low levels of unit



ergonomic design

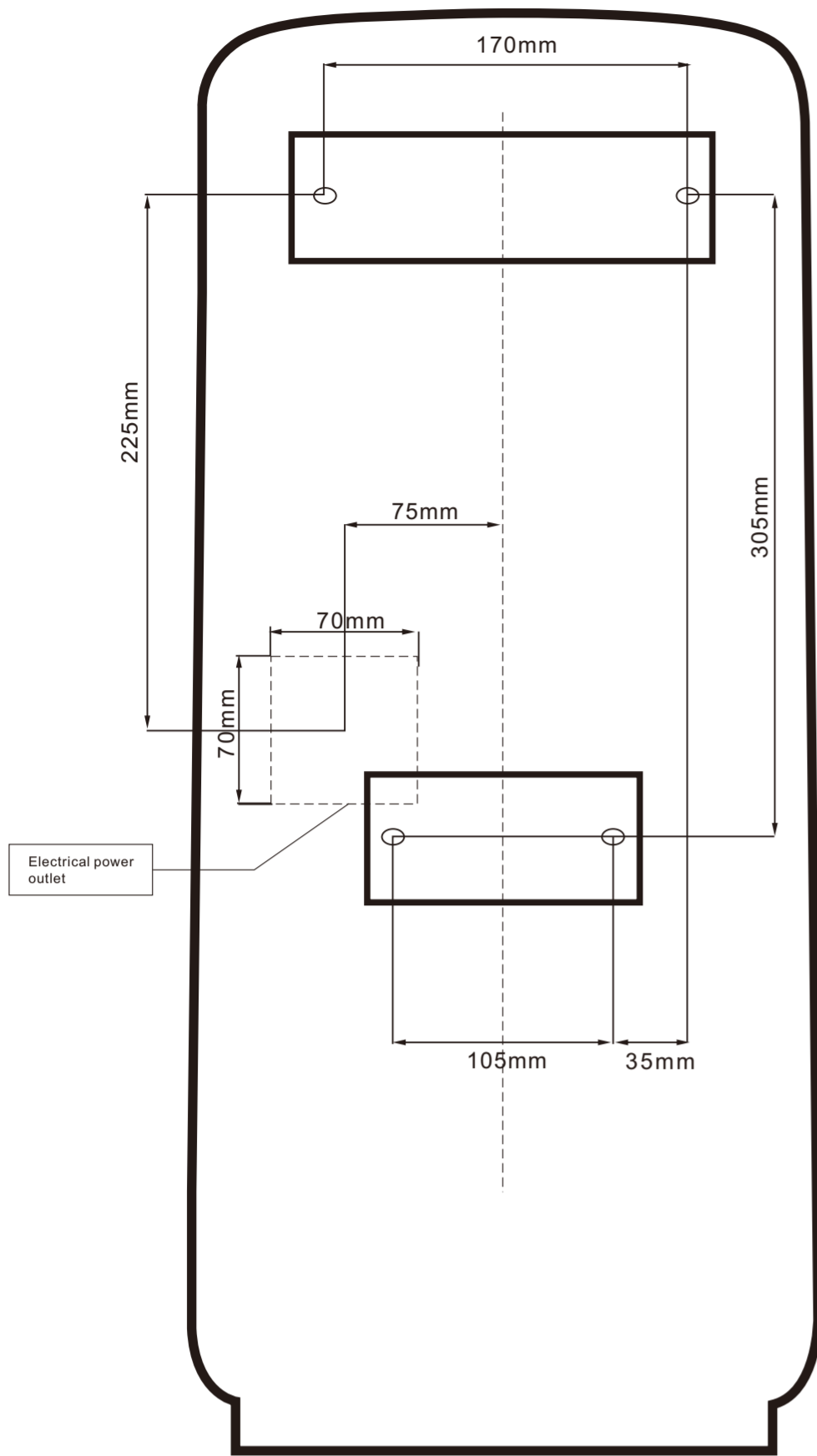


Operating principle	References	Drying time	Types of motor	Air velocity	Voltage	Security	Power	IP
2 jets of air pulse	M-6666 JET	7-8 s	2 brushed motors (brush)	350Km/h	220-240V	Auto power cut-off if overheated	2000W	IP X 1

4 If you experience any problems

If the air flow is not triggered when you put your hands in the appliance or that the airflow is ongoing without any hands inserted, unplug the appliance and call the SAV:02 40 75 96 30.

■ Drilling Template



3 Cleaning

⚠ Attention !

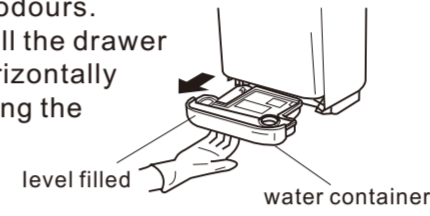
Turn off the unit before cleaning. Do not wet it by splashing large amount of water. Always wear gloves when cleaning

-Clean the appliance before it is too dirty. To do this, use a soft cloth moistened with a neutral agent. Cleaning ensures proper operation of appliance.

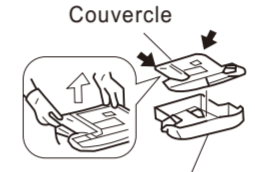
-Do not use solvents that are acidic or alkaline. Do not use alcohol to clean the drying space. Use a solution of less than 83% concentration. If you use a cloth with chemicals, read the instructions beforehand. Disinfectant agents may cause damage

Emptying and cleaning of water in the container

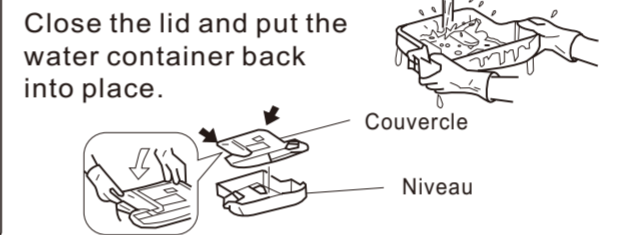
1 Empty and clean the water container before it is full (at least once a week) to avoid bad odours. To do this, pull the drawer container horizontally to avoid spilling the water



2 Remove the cover by pulling it upward as indicated by the arrow and empty water



Clean the water container

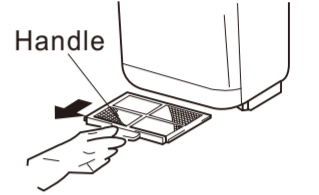


3 Pour about 200 cc of water through the drain to prevent it from choking. Make sure the water container is in place before putting the unit into operation

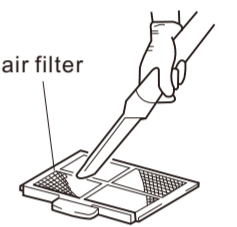


Cleaning the air filter

1 Remove the air filter by pulling the handle



2 Clean by tapping on it lightly or by means of a vacuum cleaner. If it is dirty, clean it with water.



Carefully put the filter back into place

⚠ Attention:

If you clean the filter with water, dry well before putting it back into place

⚠ Attention !

Proper usage of appliance and safety precautions must be taken to avoid injury and accidents.

- Do not attempt to install the appliance by yourself unless you are a qualified technician. Improper installation will affect the operation and in turn the safety of usage.
- Installation of this appliance must be made by a qualified technician. Incorrect electrical wiring can result in electric shock or short circuit.
- Do not open the front panel.
- Do not use appliance in a wet environment, for example near a bathtub or shower area. Heavy condensation and direct water splashing will result in equipment malfunction and electric shock.
- Do not disassemble or modify the appliance without a valid reason as it might result in short circuit or fire.
- Always use the appliance with its container and air filter, otherwise water could get inside the equipment and cause a short circuit or electrocution.
- Do not connect other appliances to the same cable. This may result in overheating and fire.
- Before cleaning or checking, unplug the appliance to prevent electrocution.
- Do not allow children to hang on to the unit as it might be detached from the bracket.

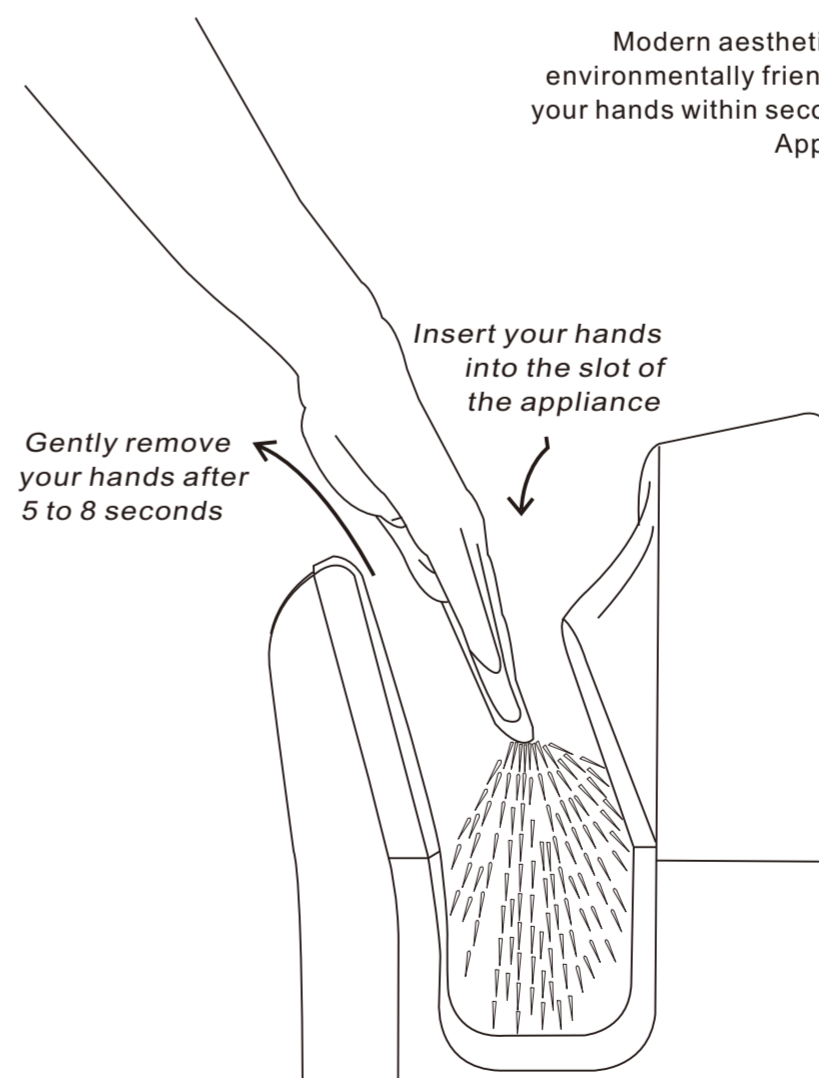


8 Characteristics

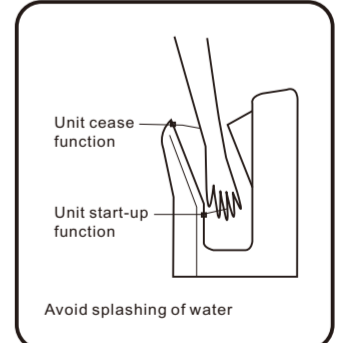
The use of the system "Injection Airstream" offers both comfort and fast drying.

Modern aesthetics, energy and cost efficient, durable and environmentally friendly. 2 jets of air pulse at high speed dry up your hands within seconds in a convenient and comfortable way.

Appliance suited to all public places including restaurants, business centres, commercial buildings, supermarkets and leisure centres



High and low levels of unit



ergonomic design

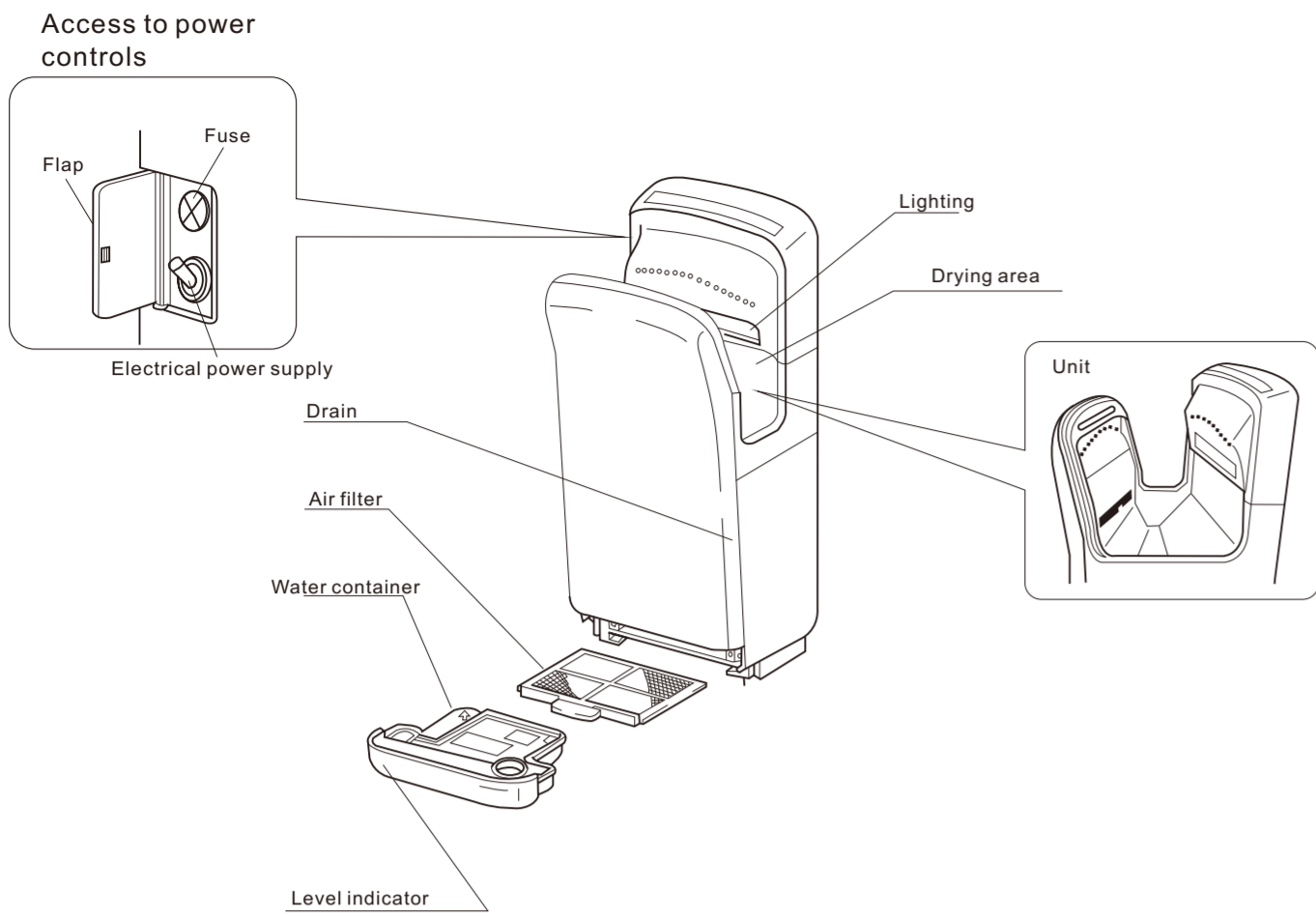


Operating principle	References	Drying time	Types of motor	Air velocity	Voltage	Security	Power	IP
2 jets of air pulse	M-6666 CJET	7-8 s	2 brushed motors (brush)	350Km/h	220-240V	Auto power cut-off if overheated	2000W	IP X 1

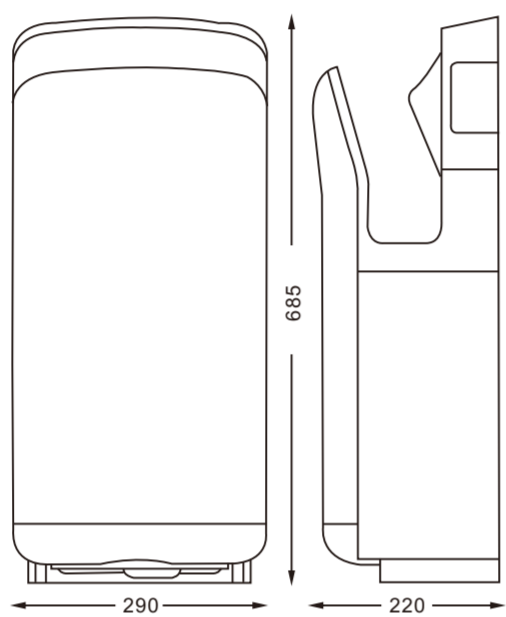
4 If you experience any problems

If the air flow is not triggered when you put your hands in the appliance or that the airflow is ongoing without any hands inserted, unplug the appliance and call the SAV: 02 40 75 96 30.

4 Components listing



5 DIMENSIONS



1 INSTALLATION

- ▶ Do not attempt to install the appliance by yourself unless you are a qualified technician. Improper installation will affect the operation and in turn the safety of usage.
- ▶ Read carefully before installation:
 - Do not install the appliance while it is plugged.
 - Install the appliance on a strong medium to ensure its rigidity.
- ▶ The appliance has Class II rating; it can be wall-mounted.

Note of precaution before installation of appliance

Do not install the appliance in places with the following conditions:

- where the temperature is less than -10°C or more than 40°C
- where the appliance may come in direct contact with water
- where the appliance may come under direct sunlight
- where there is heavy condensation
- where corrosive gases or neutrals are present
- under 20m or above 2000m above sea level

Suitable locations

- Install the appliance where it is easily accessible and user-friendly. Do not place it too close to the floor to prevent direct water contact while cleaning. The unit should be installed 15cm above the ground.
- The left side of the appliance must be at least 15cm from a wall due to the position of the switch.
- Ensure that there is no mirror or wall within 10cm from the right side of the appliance.
- Avoid areas where the appliance is obstructing the passage of users or near the doors.
- Choose a perfectly flat wall to install the appliance

2

2 UTILISATION

Utilisation of the appliance



Stretch both hands and insert into the appliance completely. Operation of unit will be triggered automatically.

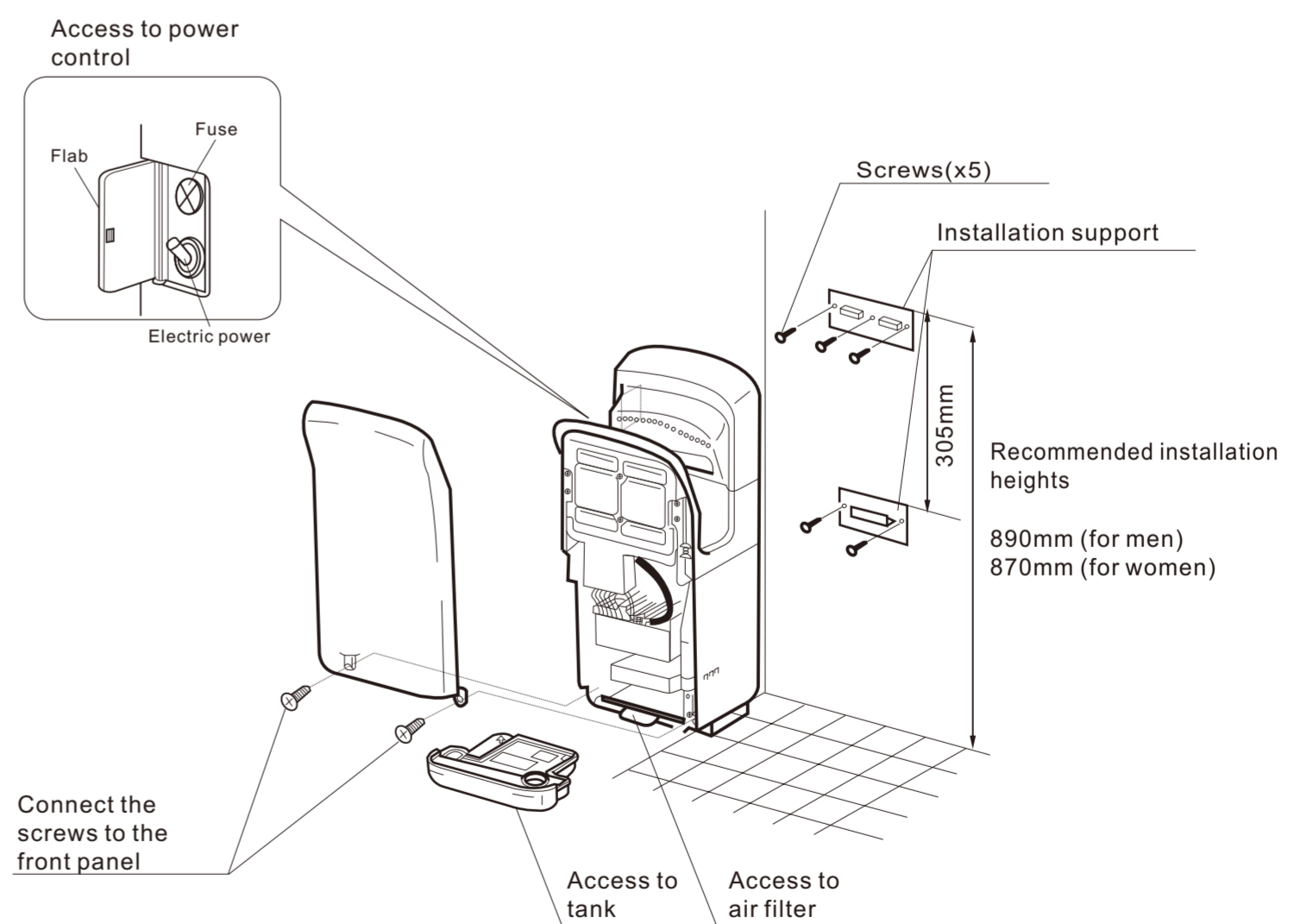


Slowly remove your hands as the hand dryer blows air.

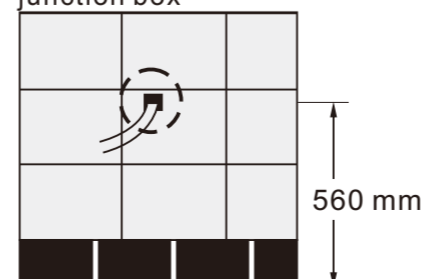


Remove hands completely. The whole process takes about 8 to 10 seconds.

Installation of the mounting base



Installation of the junction box

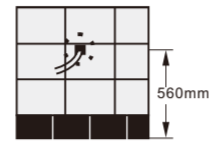


■ Installation procedure

- using a single phase alternating current of 220V-240V / 50Hz
- using a power cable of 2.5mm²
- an omnipolar separation appliance with a contact opening distance of 3mm should be provided in the fixed installation
- Voltage may drop if the cable length exceeds 11m

Wiring of the appliance

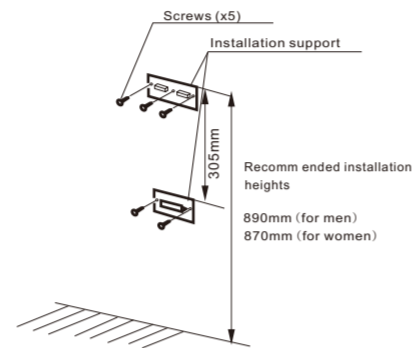
Slide the junction box in the space provided (box not covered) and connect the cable. If you do not use the cable, the box will not be secured and prevents the appliance from being fixed properly against the wall.



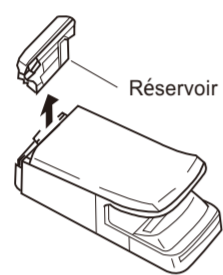
Secure the support panel on the wall using the 5 screws provided for this purpose

If it is a concrete wall, use metal dowels that are commercially available.

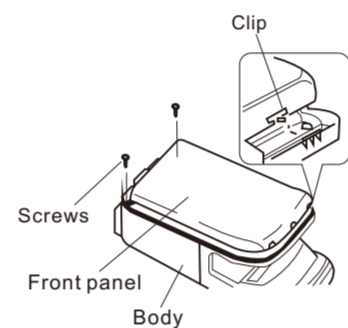
If it is not a concrete wall, reinforce it before installation.



1. Remove the tank



2. Remove the front panel: remove 2 screws, then remove all the clips on the front panel

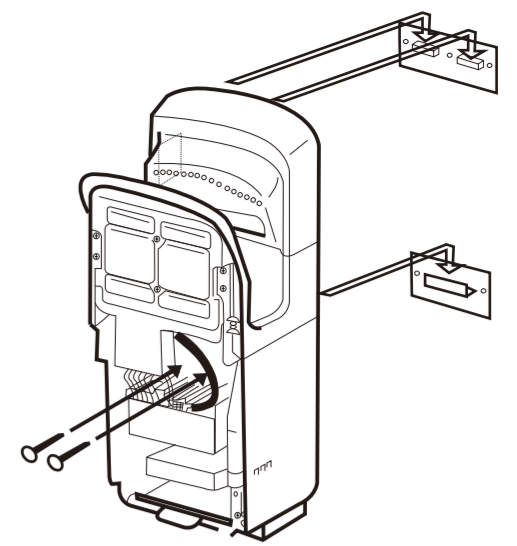


4

pull the power cable to the inside of the appliance through the hole at the back of the unit

attach the rear of the appliance to three hooks of the support panel and secure it using 2 screws at the bottom and the center of the appliance

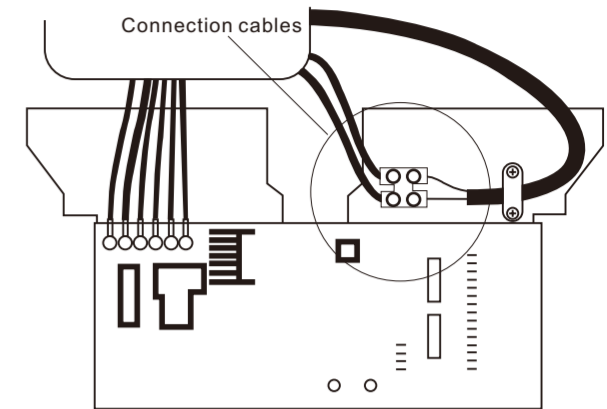
the unit cannot be installed securely if the hooks are not properly positioned



5

Connection

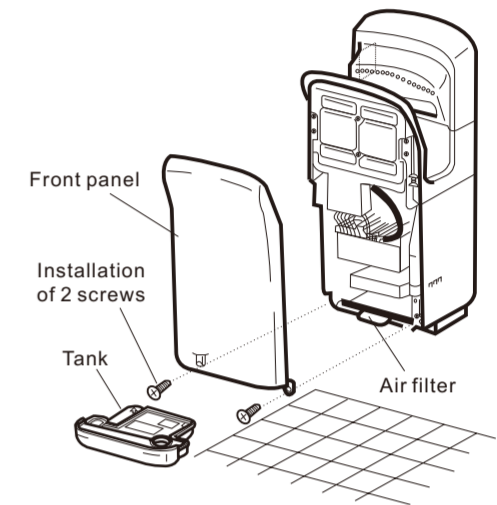
- 1-Detach the cable as shown in the figure
- 2-Connect the power cable to terminal block
- 3-Tighten the screws and tighten the cable to make sure the contacts are securely fixed
- 4-Install and tighten the cable clamp



6

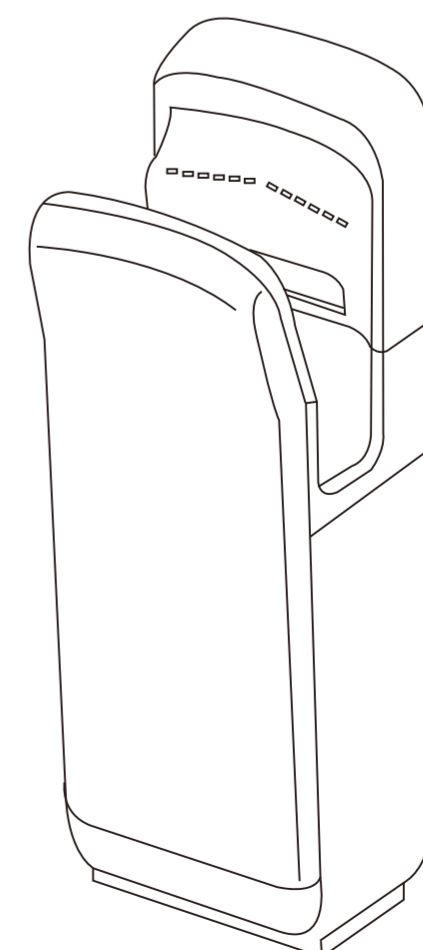
To replace the front panel

1. Insert the clips of the panel on the device and replace the two screws previously removed
2. Replace the tank
3. Make sure the air filter is fitted nicely into the slot.



Electric Hand Dryer

Installation and Operation Manual



■ To ensure proper and safe usage, please read and follow the instructions within the manual carefully. This manual should be kept properly for future reference.